

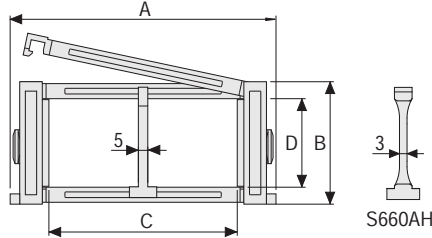
# Serie Sliding

# SR326SI/SR326SE

## Nylon Sliding Cable Chain with openable frames

### Inner height (D) 37 mm

Strong double share Sideband & Frame construction with large anti-friction triple-pin. The chain incorporates large sliding-skid surfaces to offer durability, even with high speed/loads. Frames openable from inner radius (.SI) and outer radius (.SE). As standard the chain comes with frames every second link, on request with frames every link. Modular separator systems are available.



### Separator

- Unassembled Part.no S660A
- Assembled Part.no S660AMC

### Strong-hold separator

for C > 200 mm

- Unassembled Part.no S660AH
- Assembled Part.no S660AHMC

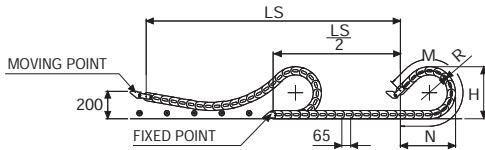
### Pin

Part.no PG307

### Technical characteristics

Speed	2 m/s
Acceleration	4 m/s <sup>2</sup>

For higher requirements please consult our technical dept.



Length of chain (L)

Half travel distance ( $\frac{LS}{2}$ )

plus length of curve (M)

$$L = \frac{LS}{2} + M$$

R	H	N	M
mm	mm	mm	mm
107	273	290	650
150	359	440	1025
200	459	610	1460
250	559	785	1900
300	659	955	2340

A	B	C	D	R	Weight/m	Chain
mm	mm	mm	mm	mm	kg	Part Number
106	59	61	37	107-150-200-250-300	1,33	SR326SI(SE)061□□□*
117	59	72	37	107-150-200-250-300	1,33	SR326SI(SE)072□□□*
131	59	86	37	107-150-200-250-300	1,40	SR326SI(SE)086□□□*
137	59	92	37	107-150-200-250-300	1,41	SR326SI(SE)092□□□*
151	59	106	37	107-150-200-250-300	1,46	SR326SI(SE)106□□□*
156	59	111	37	107-150-200-250-300	1,46	SR326SI(SE)111□□□*
163	59	118	37	107-150-200-250-300	1,48	SR326SI(SE)118□□□*
173	59	128	37	107-150-200-250-300	1,49	SR326SI(SE)128□□□*
181	59	136	37	107-150-200-250-300	1,54	SR326SI(SE)136□□□*
192	59	147	37	107-150-200-250-300	1,57	SR326SI(SE)147□□□*
206	59	161	37	107-150-200-250-300	1,61	SR326SI(SE)161□□□*
231	59	186	37	107-150-200-250-300	1,68	SR326SI(SE)186□□□*
256	59	211	37	107-150-200-250-300	1,75	SR326SI(SE)211□□□*
267	59	222	37	107-150-200-250-300	1,79	SR326SI(SE)222□□□*
281	59	236	37	107-150-200-250-300	1,83	SR326SI(SE)236□□□*
308	59	263	37	107-150-200-250-300	1,91	SR326SI(SE)263□□□*
317	59	272	37	107-150-200-250-300	1,93	SR326SI(SE)272□□□*
368	59	323	37	107-150-200-250-300	2,06	SR326SI(SE)323□□□*
390	59	345	37	107-150-200-250-300	2,10	SR326SI(SE)345□□□*
418	59	373	37	107-150-200-250-300	2,21	SR326SI(SE)373□□□*

\*Complete the code by inserting the value of the radius (R): Ex. SR326SI(SE)118 □ □ □ □  
Chain equipped with nylon frame every pitch: complete the code by inserting the letter D.  
Ex. SR326SI(SE)118150 □



Serie Sliding

**SR326SI**

**SR326SE**

Nylon Sliding Cable Chain with openable frames

**End Brackets**

The end brackets set allows the two ends of the chain to be attached to the equipment. One set comprises two movable end brackets to install at the moving point and two standard steel end brackets to install at the fixed point.

**Bright Zinc Plated Steel Movable Type\* (moving point)**

**Bright Zinc Plated Steel Type\* (fixed point)**

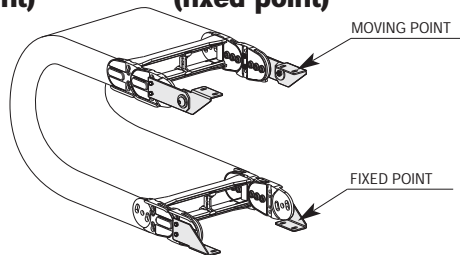
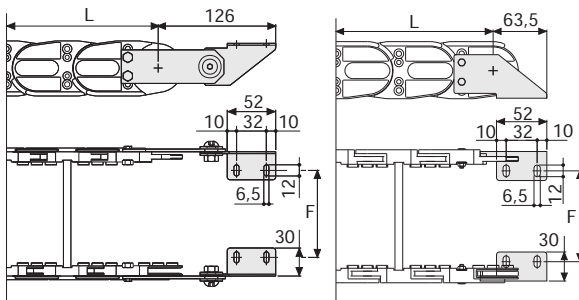


Fig. A Chain fixed outside the radius. (Fig A)



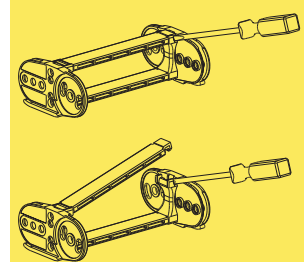
Chain Type	F mm
SR326SI(SE)061	58
SR326SI(SE)072	69
SR326SI(SE)086	83
SR326SI(SE)092	89
SR326SI(SE)106	103
SR326SI(SE)111	108
SR326SI(SE)118	115
SR326SI(SE)128	125
SR326SI(SE)136	133
SR326SI(SE)147	144
SR326SI(SE)161	158
SR326SI(SE)186	183
SR326SI(SE)211	208
SR326SI(SE)222	219
SR326SI(SE)236	233
SR326SI(SE)263	260
SR326SI(SE)272	269
SR326SI(SE)323	320
SR326SI(SE)345	342
SR326SI(SE)373	370

**Bright Zinc Plated Steel Type Part Numbers**

Complete Set Assembled	
Chain Type	End Brackets Set
SR326SI(SE)...	A326KM

Complete Set Unassembled	
Chain Type	End Brackets Set
SR326SI(SE)...	A326K

\*Available on request in stainless steel



How to open the cover.

Special tool to remove the connecting pivots: Part Number PZ036.



For further information please consult Brevetti Stendaito's Technical Office