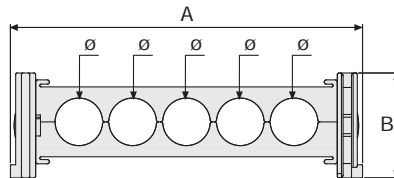


Serie Sliding

SR326F

Nylon Sliding Cable Chain with un-screwable split cross pieces with holes

Strong double share Sideband & Frame construction with large anti-friction triple-pin. Un-screwable nylon split cross pieces with different hole combinations. The chain incorporates large sliding-skid surfaces to offer durability even, with high speed/loads. As standard the chain comes with frames every link.



Pin
Part.no PG307

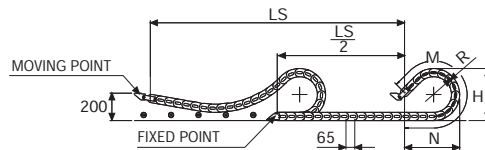
Technical characteristics

Speed	2 m/s
Acceleration	4 m/s ²

For higher requirements please consult our technical dept.

A	B	N.	Ø	R	Weight/m	Chain
mm	mm	holes	mm	mm	kg	Part Number
89	59	2	22	107-150-200-250-300	1,95	SR326001□□□*
155	59	6	17	107-150-200-250-300	2,20	SR326002□□□*
193	59	6+2	17+20	107-150-200-250-300	2,45	SR326003□□□*
214	59	6	25	107-150-200-250-300	2,70	SR326004□□□*
113	59	3	23	107-150-200-250-300	2,10	SR326005□□□*

*Complete the code by inserting the value of the radius (R): Ex. SR326001 □ □ □ □



R	H	N	M
mm	mm	mm	mm
107	273	290	650
150	359	440	1025
200	459	610	1460
250	559	785	1900
300	659	955	2340

Length of chain (L)

Half travel distance ($\frac{LS}{2}$)
plus length of curve (M)

$$L = \frac{LS}{2} + M$$



Serie Sliding

SR326F
Nylon Sliding Cable Chain
with un-screwable
nylon split cross
pieces with holes

End Brackets

The end brackets set allows the two ends of the chain to be attached to the equipment. One set comprises two movable end brackets to install at the moving point and two standard steel end brackets to install at the fixed point.

Bright Zinc Plated Steel Movable Type* (moving point)

Bright Zinc Plated Steel Type* (fixed point)

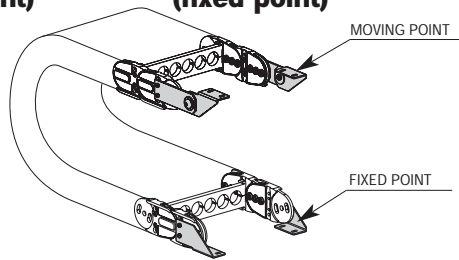
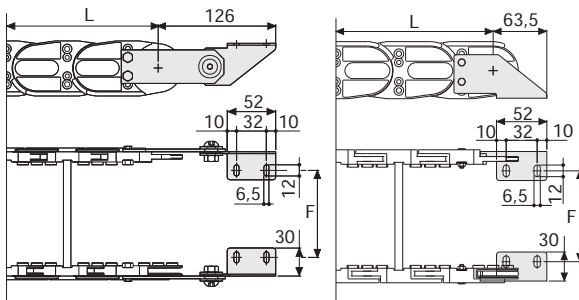


Fig. A
Chain fixed outside the radius. (Fig A)



Chain Type	F mm
SR326001	41
SR326002	107
SR326003	145
SR326004	166
SR326005	65

Bright Zinc Plated Steel Type Part Numbers

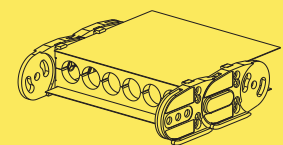
Complete Set Assembled	
Chain Type	End Brackets Set
SR32600...	A326KM

Complete Set Unassembled	
Chain Type	End Brackets Set
SR32600...	A326K

*Available on request in stainless steel



3



Steel laminar cover.

Special tool to remove the connecting pivots:
Part Number PZ036.



For further information please consult Brevetti Stendalto's Technical Office