

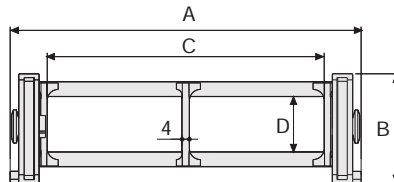
Serie Sliding

SR326B

Nylon Sliding Cable Chain with un-screwable aluminium rods

Inner height (D) 30 mm

Strong double share Sideband & Frame construction with large anti-friction triple-pin. The chain incorporates large sliding-skid surfaces to offer durability, even with high speed/loads. The Alu-rod frames are un-screwable from inner and outer radius. As standard the chain comes with frames every second link, on request with frames every link. Separator systems are available.



Separator

- Unassembled	Part.no S2000F
- Assembled	Part.no S2000FMC

Pin

Part.no PG307

Technical characteristics

Speed	2 m/s
Acceleration	4 m/s ²

For higher requirements please consult our technical dept.

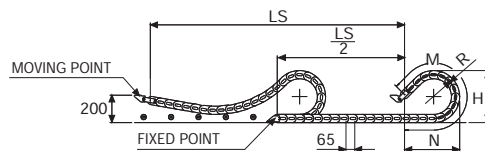
A	B	C	D	R	Weight/m	Chain
mm	mm	mm	mm	mm	kg	Part Number
115	59	75	30	107-150-200-250-300	1,75	SR326B075□□□*
140	59	100	30	107-150-200-250-300	1,80	SR326B100□□□*
190	59	150	30	107-150-200-250-300	1,90	SR326B150□□□*
240	59	200	30	107-150-200-250-300	2,05	SR326B200□□□*
290	59	250	30	107-150-200-250-300	2,15	SR326B250□□□*
340	59	300	30	107-150-200-250-300	2,25	SR326B300□□□*
C+40	59	30	107-150-200-250-300		SR326B □□□□□□**

*Complete the code by inserting the value of the radius (R): Ex. SR326B100 □ □ □ □

**Complete the code by inserting the value of the quote C and the radius (R): Ex. SR326B □ □ □ □ □ □ □ □

Chain equipped with aluminium rods every pitch: complete the code by inserting the letter D.

Ex. SR326B100150 □ □



R	H	N	M
mm	mm	mm	mm
107	273	290	650
150	359	440	1025
200	459	610	1460
250	559	785	1900
300	659	950	2340

Length of chain (L)

Half travel distance ($\frac{LS}{2}$)

plus length of curve (M)

$$L = \frac{LS}{2} + M$$



Version with Alu-rods on every second pitch.

Serie Sliding

SR326B
Nylon Sliding Cable
Chain
with un-screwable
aluminium rods

3

End Brackets

The end brackets set allows the two ends of the chain to be attached to the equipment. One set comprises two movable end brackets to install at the moving point and two standard steel end brackets to install at the fixed point.

Bright Zinc Plated Steel Movable Type* (moving point)

Bright Zinc Plated Steel Type* (fixed point)

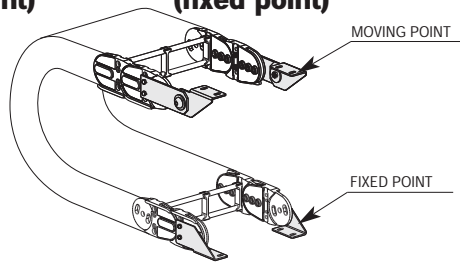
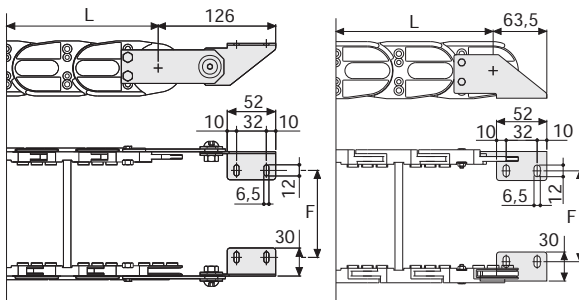


Fig. A
Chain fixed outside the radius. (Fig A)



Chain Type	F mm
SR326B075	67
SR326B100	92
SR326B150	142
SR326B200	192
SR326B250	242
SR326B300	292

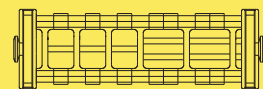
Special dimension F=A-48

Bright Zinc Plated Steel Type Part Numbers

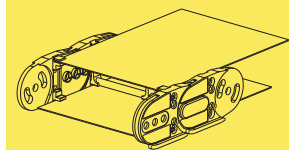
Complete Set Assembled	
Chain Type	End Brackets Set
SR326B...	A326KM

Complete Set Unassembled	
Chain Type	End Brackets Set
SR326B...	A326K

* Available on request in stainless steel



Supplementary movable separators.



Steel laminar cover.

Special tool to remove the connecting pivots:
Part Number PZ036.



For further information please consult Brevetti Stendalto's Technical Office