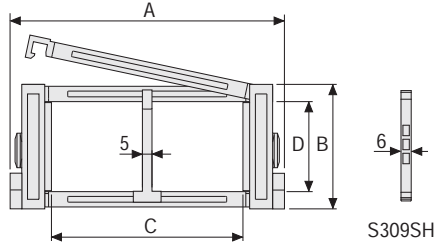


Serie Sliding

SR319SE Nylon Sliding Cable Chain with openable frames

Inner height (D) 75,5 mm

Strong double share Sideband & Frame construction with large anti-friction triple-pin. The chain incorporates large sliding-skid surfaces to offer durability, even with high speed/loads. Frames openable from outer radius). As standard the chain comes with frames every second link, on request with frames every link. Modular separator systems are available



Separator

- Unassembled Part.no S309S
- Assembled Part.no S309SMC

Strong-hold separator

for C > 250 mm

- Unassembled Part.no S309SH
- Assembled Part.no S309SHMC

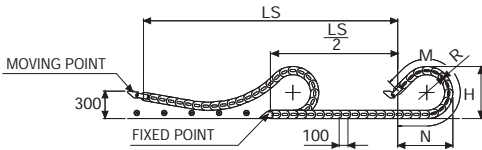
Pin

Part.no PG319

Technical characteristics

| | |
|--------------|---------------------|
| Speed | 4 m/s |
| Acceleration | 13 m/s ² |

For higher requirements please consult our technical dept.



Length of chain (L)

Half travel distance ($\frac{LS}{2}$)
plus length of curve (M)

$$L = \frac{LS}{2} + M$$

| A | B | C | D | R | Weight/m | Chain |
|-----|-----|-----|------|-------------------------|----------|----------------|
| mm | mm | mm | mm | mm | kg | Part Number |
| 128 | 107 | 64 | 75,5 | 200-250-300-350-400-500 | 4,47 | SR319SE064□□□* |
| 148 | 107 | 84 | 75,5 | 200-250-300-350-400-500 | 4,53 | SR319SE084□□□* |
| 173 | 107 | 109 | 75,5 | 200-250-300-350-400-500 | 4,61 | SR319SE109□□□* |
| 180 | 107 | 116 | 75,5 | 200-250-300-350-400-500 | 4,64 | SR319SE116□□□* |
| 203 | 107 | 139 | 75,5 | 200-250-300-350-400-500 | 4,71 | SR319SE139□□□* |
| 243 | 107 | 179 | 75,5 | 200-250-300-350-400-500 | 4,84 | SR319SE179□□□* |
| 278 | 107 | 214 | 75,5 | 200-250-300-350-400-500 | 4,95 | SR319SE214□□□* |
| 304 | 107 | 240 | 75,5 | 200-250-300-350-400-500 | 5,04 | SR319SE240□□□* |
| 328 | 107 | 264 | 75,5 | 200-250-300-350-400-500 | 5,11 | SR319SE264□□□* |
| 354 | 107 | 290 | 75,5 | 200-250-300-350-400-500 | 5,19 | SR319SE290□□□* |
| 378 | 107 | 314 | 75,5 | 200-250-300-350-400-500 | 5,27 | SR319SE314□□□* |
| 404 | 107 | 340 | 75,5 | 200-250-300-350-400-500 | 5,34 | SR319SE340□□□* |
| 428 | 107 | 364 | 75,5 | 200-250-300-350-400-500 | 5,43 | SR319SE364□□□* |
| 552 | 107 | 488 | 75,5 | 200-250-300-350-400-500 | 5,85 | SR319SE488□□□* |

*Complete the code by inserting the value of the radius (R): Ex. SR319SE116 □□□□

Chain equipped with nylon frame every pitch: complete the code by inserting the letter D.

Ex. SR319SE116250 □□

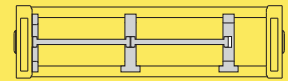
| R | H | N | M |
|-----|------|------|------|
| mm | mm | mm | mm |
| 200 | 507 | 595 | 1345 |
| 250 | 607 | 765 | 1780 |
| 300 | 707 | 940 | 2220 |
| 350 | 807 | 1110 | 2655 |
| 400 | 907 | 1280 | 3095 |
| 500 | 1107 | 1625 | 3970 |



Version with frames mounted on every pitch.

Serie Sliding

SR319SE
Nylon Sliding Cable
Chain
with openable frames



Separation System
To choose the separators see
page. 174



End Brackets

The end brackets set allows the two ends of the chain to be attached to the equipment. One set comprises two movable end brackets to install at the moving point and two standard steel end brackets to install at the fixed point.

**Bright Zinc Plated Steel
Movable Type*
(moving point)**

**Bright Zinc Plated Steel
Type*
(fixed point)**

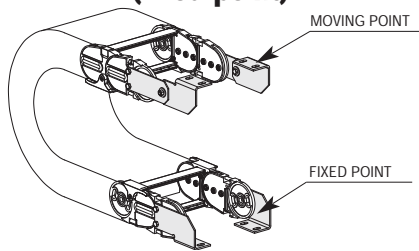
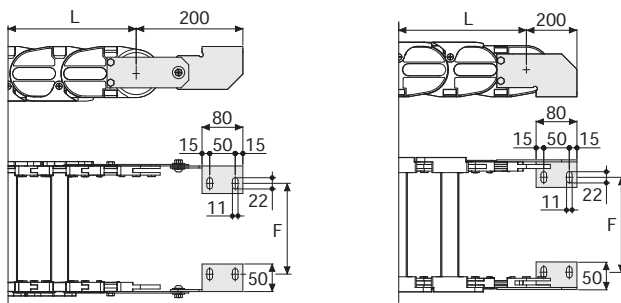


Fig. A
Chain fixed outside the radius. (Fig A)



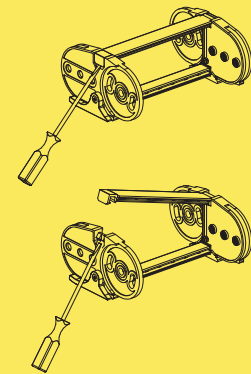
| Chain Type | F mm |
|------------|------|
| SR319SE064 | 40 |
| SR319SE084 | 60 |
| SR319SE109 | 85 |
| SR319SE116 | 92 |
| SR319SE139 | 115 |
| SR319SE179 | 155 |
| SR319SE214 | 190 |
| SR319SE240 | 216 |
| SR319SE264 | 240 |
| SR319SE290 | 266 |
| SR319SE314 | 290 |
| SR319SE340 | 316 |
| SR319SE364 | 340 |
| SR319SE488 | 464 |

**Bright Zinc Plated Steel
Type Part Numbers**

| Complete Set Assembled | |
|------------------------|------------------|
| Chain Type | End Brackets Set |
| SR319SE... | A319KM |

| Complete Set Unassembled | |
|--------------------------|------------------|
| Chain Type | End Brackets Set |
| SR319SE... | A319K |

*Available on request in stainless steel



How to open the cover.

For further information please
consult Brevetti Stendalto's
Technical Office