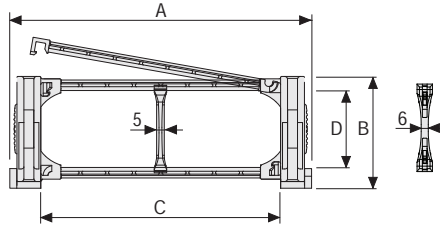


Serie Sliding

M60PIS/M60PES Nylon Cable Chain with openable frames

Inner height (D) 60,5 mm

Sideband & Frame construction with large anti-friction single-pin. Frames openable from inner radius (.PI) and outer radius (.PE). As standard the chain comes with frames every second link, on request with frames every link. Vertical separators are available



Separator

- Unassembled Part.no S60SM
- Assembled Part.no S60SMMC

Strong-hold separator

for C > 250 mm

- Unassembled Part.no S60HOFL
- Assembled Part.no S60HOFLMC

Pin

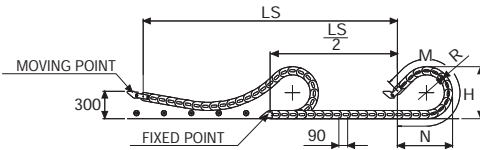
Part.no PNE60S-PGI60S

Technical characteristics

Speed	5 m/s
Acceleration	13 m/s ²

For higher requirements please consult our technical dept.

3



Length of chain (L)

Half travel distance ($\frac{LS}{2}$)

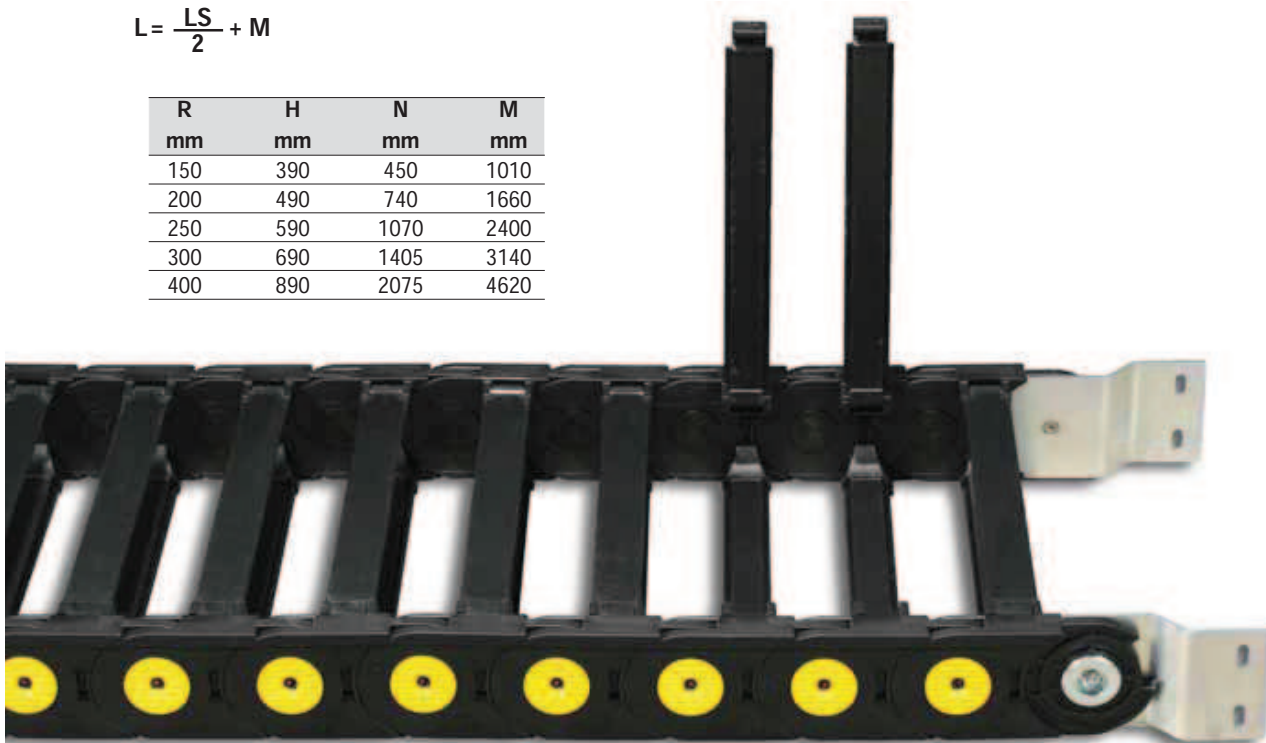
plus length of curve (M)

$$L = \frac{LS}{2} + M$$

R	H	N	M
mm	mm	mm	mm
150	390	450	1010
200	490	740	1660
250	590	1070	2400
300	690	1405	3140
400	890	2075	4620

A	B	C	D	R	Weight/m	Chain
mm	mm	mm	mm	mm	kg	Part number
165	90	115	60,5	150-200-250-300-400	4,87	M60PIS(PES)115 □□□*
185	90	135	60,5	150-200-250-300-400	4,96	M60PIS(PES)135 □□□*
210	90	160	60,5	150-200-250-300-400	5,02	M60PIS(PES)160 □□□*
217	90	167	60,5	150-200-250-300-400	5,04	M60PIS(PES)167 □□□*
240	90	190	60,5	150-200-250-300-400	5,11	M60PIS(PES)190 □□□*
280	90	230	60,5	150-200-250-300-400	5,27	M60PIS(PES)230 □□□*
315	90	265	60,5	150-200-250-300-400	5,41	M60PIS(PES)265 □□□*
341	90	291	60,5	150-200-250-300-400	5,49	M60PIS(PES)291 □□□*
365	90	315	60,5	150-200-250-300-400	5,57	M60PIS(PES)315 □□□*
391	90	341	60,5	150-200-250-300-400	5,67	M60PIS(PES)341 □□□*
415	90	365	60,5	150-200-250-300-400	5,76	M60PIS(PES)365 □□□*
441	90	391	60,5	150-200-250-300-400	5,84	M60PIS(PES)391 □□□*
465	90	415	60,5	150-200-250-300-400	5,93	M60PIS(PES)415 □□□*
589	90	539	60,5	150-200-250-300-400	6,58	M60PIS(PES)539 □□□*

*Complete the code by inserting the value of the radius (R): Ex. M60PIS(PES)115 □ □ □ □
Chain equipped with nylon frame every pitch: complete the code by inserting the letter D.
M60PIS(PES)115250 □



Version with frames mounted on every pitch.

Serie Sliding

M60PIS

M60PES

Nylon Cable Chain
with openable frames

3

End Brackets

The end brackets set allows the two ends of the chain to be attached to the equipment. One set comprises two movable end brackets to install at the moving point and two standard steel end brackets to install at the fixed point.

**Bright Zinc Plated Steel
Movable Type*
(fixed point)**

**Bright Zinc Plated Steel
Type* (moving point)**

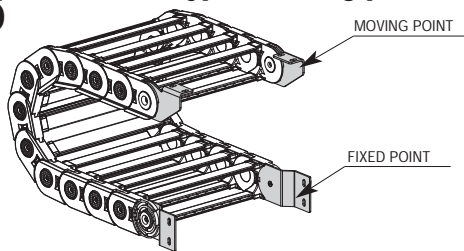
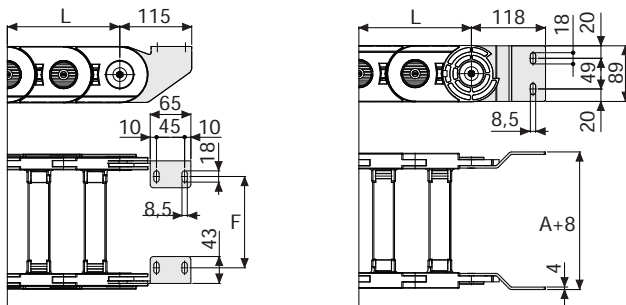


Fig. A
Chain fixed outside the radius. (Fig A)



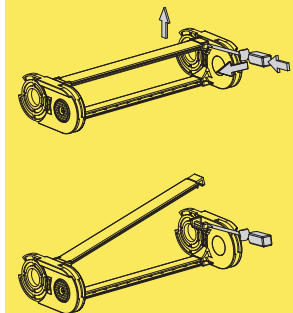
Chain Type	F mm
M60PIS(PES)115	95
M60PIS(PES)135	115
M60PIS(PES)160	140
M60PIS(PES)167	147
M60PIS(PES)190	170
M60PIS(PES)230	210
M60PIS(PES)265	245
M60PIS(PES)291	271
M60PIS(PES)315	295
M60PIS(PES)341	321
M60PIS(PES)365	345
M60PIS(PES)391	371
M60PIS(PES)415	395
M60PIS(PES)539	519

**Bright Zinc Plated Steel
Type Part Numbers**

Complete Set Assembled	
Chain Type	End Brackets Set
M60PIS/PES...	A60PKM

Complete Set Unassembled	
Chain Type	End Brackets Set
M60PIS/PES...	A60PK

*Available on request in stainless steel



How to open the cover.

For further information please
consult Brevetti Stendalto's
Technical Office