

# Serie Robot

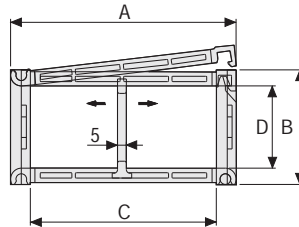
## SR545

### Circular Nylon Cable Chain with openable frames

#### Inner height (D) 46 mm

Double share Sideband & Frame construction with large anti-friction single-pin.

Frames openable from inner radius.



| Pin | Part.no PG545 |
|-----|---------------|
|-----|---------------|

#### Technical characteristics

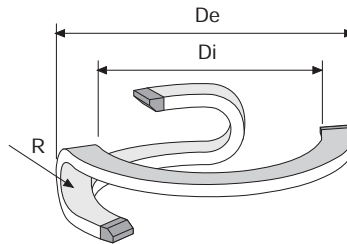
|              |                     |
|--------------|---------------------|
| Speed        | 180°/s              |
| Acceleration | 180°/s <sup>2</sup> |



For higher requirements please consult our technical dept.

| A   | B  | C   | D  | R   | Weight/pitch | Chain         |
|-----|----|-----|----|-----|--------------|---------------|
| mm  | mm | mm  | mm | mm  | kg           | Part Number   |
| 123 | 62 | 100 | 46 | 100 | 0,200        | SR545SI100100 |

| R   | Di  | De  |
|-----|-----|-----|
| mm  | mm  | mm  |
| 100 | 485 | 760 |



#### Length of Chain

| Chain Part Numbers | Degrees of Rotation | No of Pitches |
|--------------------|---------------------|---------------|
| SR545              | 90                  | 14            |
| SR545              | 180                 | 18            |
| SR545              | 270                 | 22            |
| SR545              | 360                 | 27            |



### Steel End Brackets

The end brackets set, containing two steel plates screwed to the links, allows the two ends of the chain to be attached to the equipment. The end brackets are installed in one position offering the possibility of attaching the chain externally. (Fig. A)

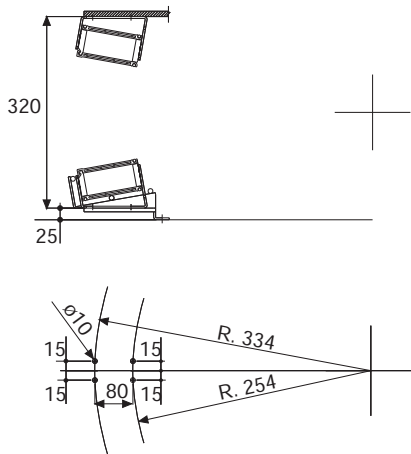


Fig. A

### Support Guide

For correct functioning of the chain it is necessary that the installation is done in a specific position.

For this reason Brevetti Stendalto has observed and created a support guide which can do this. (Fig. B)

For particular applications it is possible to create support guides with attachment plates and special dimensions.

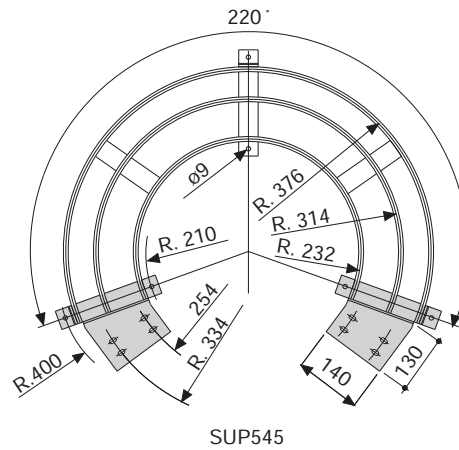


Fig. B

### Steel End Brackets Part Numbers

#### Complete Set Assembled

| Chain Type | End Brackets Set |
|------------|------------------|
| SR545      | A545KM           |

#### Complete Set Unassembled

| Chain Type | End Brackets Set |
|------------|------------------|
| SR545      | A545K            |

For applications with rotations exceeding 200° it is necessary to use the appropriate accessories for supporting the cable chain. (see page 28).

### Serie Robot

## SR545

Circular Nylon Cable Chain  
with openable frames

