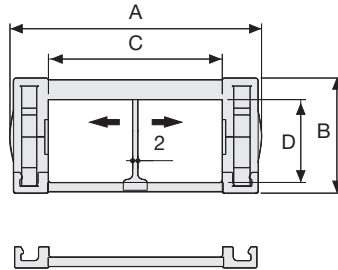


Serie Medium

SR355A Nylon Cable Chain with removable frames

Inner height (D) 31 mm

Double share single link joining construction with large anti-friction single-pin. Frames removable from inner radius. Vertical separators are available. Wide frames on outer radius offer good protection. Due to its design with double-share lateral side, the chain is very robust, meanwhile offering very low friction.



Separator

- Unassembled	Part.no S355
- Assembled	Part.no S355MC

Pin

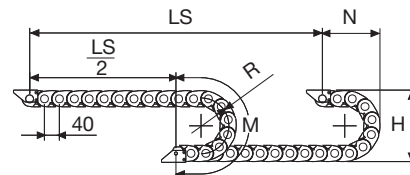
Part.no PG355

Technical characteristics when self-supported

Speed	10 m/s
Acceleration	50 m/s ²

For higher requirements please consult our technical dept.

A	B	C	D	R	Weight/m	Chain
mm	mm	mm	mm	mm	kg	Part Number
74	43	45	31	75	1,40	SR355A045
74	43	45	31	100	1,40	SR355A046
74	43	45	31	150	1,40	SR355A047
74	43	45	31	200	1,40	SR355A048
94	43	65	31	75	1,50	SR355A065
94	43	65	31	100	1,50	SR355A066
94	43	65	31	150	1,50	SR355A067
94	43	65	31	200	1,50	SR355A068
124	43	95	31	75	1,70	SR355A095
124	43	95	31	100	1,70	SR355A096
124	43	95	31	150	1,70	SR355A097
124	43	95	31	200	1,70	SR355A098

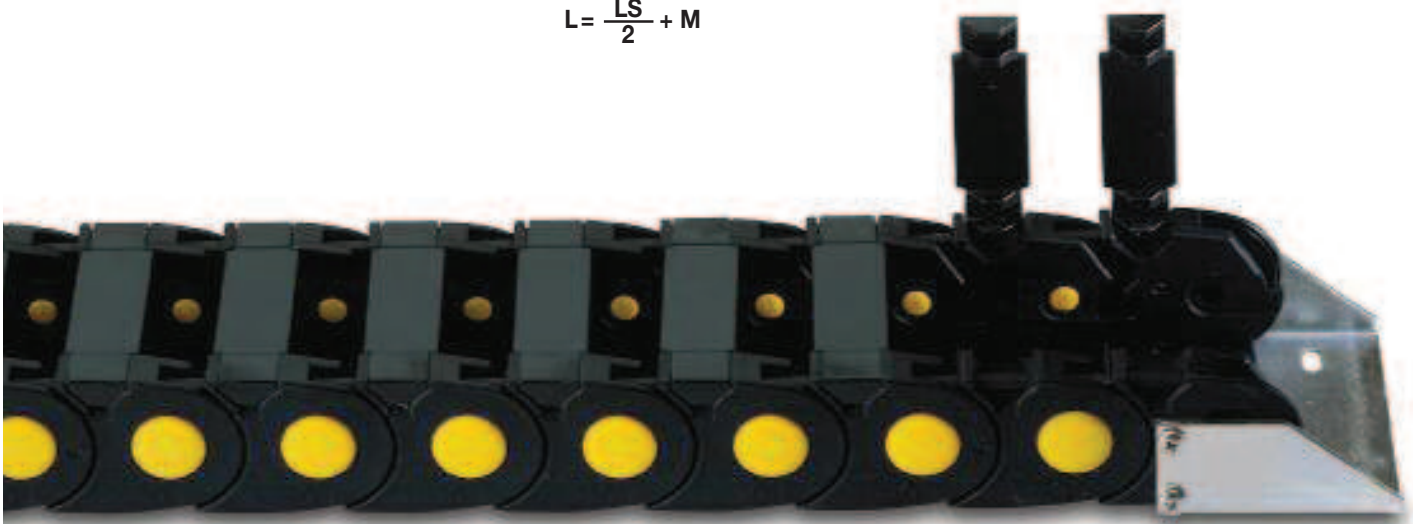


R	H	N	M
mm	mm	mm	mm
75	193	140	315
100	243	165	395
150	343	215	555
200	443	265	710

Length of chain (L)

Half travel distance ($\frac{LS}{2}$)
plus length of curve (M)

$$L = \frac{LS}{2} + M$$

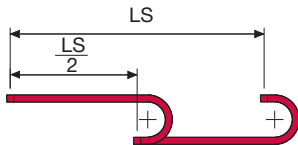
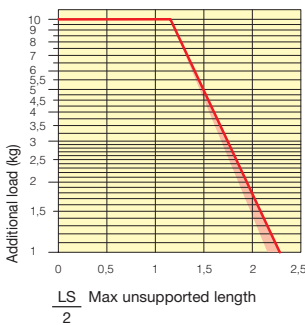


Serie Medium

SR355A
Nylon Cable Chain
with removable frames

Self-Supporting Capacity Diagram

The maximum length of the self-supporting capacity ($\frac{LS}{2}$) in relationship to the weight of the cables and hoses contained per linear metre.



The red marking in the diagram area considers the difference of weight between various widths of chain.

For applications with $\frac{LS}{2}$ and weights not included in the area of the diagram showing self-supporting capacity, verify the possible use of support rollers (see page 30).

End Brackets

The end brackets set allows the two ends of the chain to be attached to the equipment.

Nylon Type

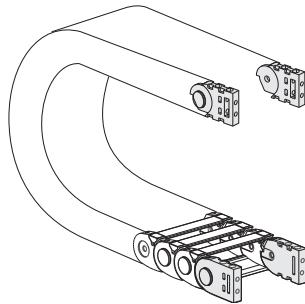


Fig. A
The chain can be fixed frontally, inner or outer radius. (Fig A)

Bright Zinc Plated Steel Type*

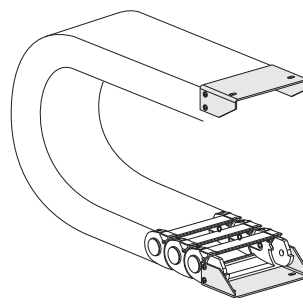
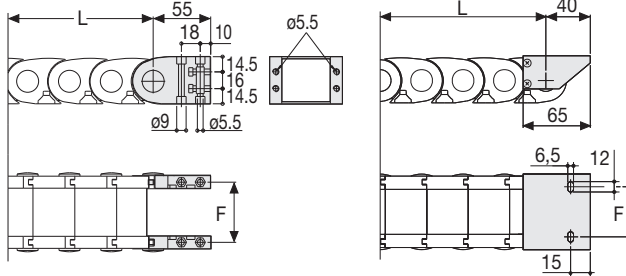


Fig. B
Chain fixed outside the radius. (Fig B)
See end brackets mounting variations page 31.



Chain Type	F mm
SR355A C=45	59
SR355A C=65	79
SR355A C=95	109

Nylon Type Part Numbers

Complete Set Assembled	
Chain	End Brackets
Type	Set
SR355A C=45	AN355KM
SR355A C=65	AN355KM
SR355A C=95	AN355KM

Complete Set Unassembled	
Chain	End Brackets
Type	Set
SR355A C=45	AN355K
SR355A C=65	AN355K
SR355A C=95	AN355K

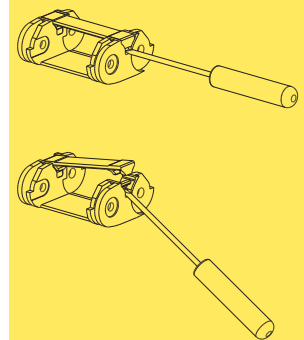
Chain Type	F mm
SR355A C=45	50
SR355A C=65	70
SR355A C=95	100

Bright Zinc Plated Steel Type Part Numbers

Complete Set Assembled	
Chain	End Brackets
Type	Set
SR355A C=45	AP355AKM1
SR355A C=65	AM355AKM1
SR355A C=95	AG355AKM1

Complete Set Unassembled	
Chain	End Brackets
Type	Set
SR355A C=45	AP355AK1
SR355A C=65	AM355AK1
SR355A C=95	AG355AK1

*Available on request in stainless steel



How to open the cover.

Special tool to remove the connecting pivots:
Part Number PZ010.

For further information please consult Brevetti Stendalto's Technical Office

