

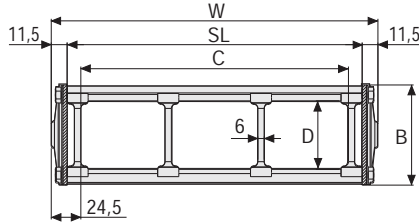
# Serie Steel

## BS3500C

### Cable Chains in Bright Zinc Plated Steel

#### Inner height (D) 65 mm

Double share link construction.  
Single-rievt fixing and standard large washer and nylon anti-friction disk to assure smooth and durable movement.  
The strong Alu-covers are un-screwable from both sides.  
Vertical and horizontal separator systems are available.



#### Separator

- Unassembled	Part.no ST3500F
- Assembled	Part.no ST3500FMC

#### Technical characteristics when self-supported

Speed	0,5 m/s
Acceleration	2 m/s <sup>2</sup>

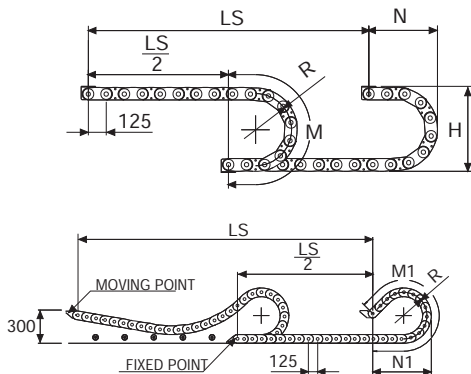
For higher requirements please consult our technical dept.

#### Aluminium Draw Plates with Separators in Nylon

W mm	B mm	C mm	D mm	R mm	Weight/m kg	Chain Part Number
153	95	104	65	200-250-300-350-400-450-500-600	13,80	3500NC104□□□*
203	95	154	65	200-250-300-350-400-450-500-600	14,80	3500NC154□□□*
253	95	204	65	200-250-300-350-400-450-500-600	15,80	3500NC204□□□*
303	95	254	65	200-250-300-350-400-450-500-600	16,80	3500NC254□□□*
353	95	304	65	200-250-300-350-400-450-500-600	17,80	3500NC304□□□*
453	95	404	65	200-250-300-350-400-450-500-600	19,80	3500NC404□□□*
C+49	95	....	65	200-250-300-350-400-450-500-600		3500NC□□□□□**

\*Complete the code by inserting the value of the radius (R): Ex. 3500NC154 [2] [5] [7]

\*\*Complete the code by inserting the value of the quote C and the radius (R): Ex. 3500NC [7] [2] [3] [2] [5] [7]



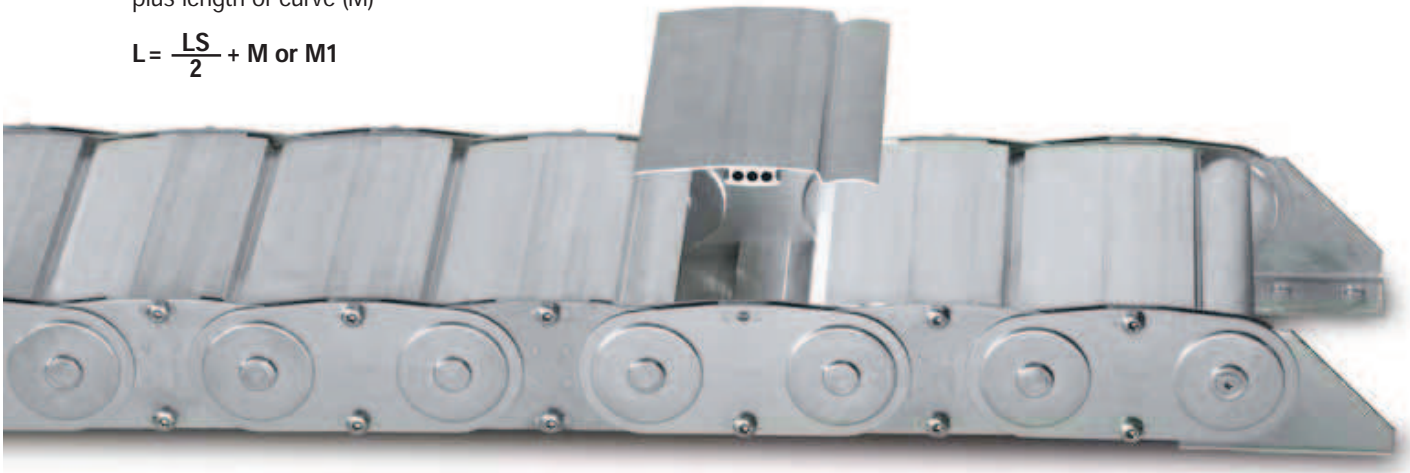
R mm	H* mm	N mm	M mm	N1 mm	M1 mm
200	512	375	880	1100	2360
250	612	425	1040	1310	2870
300	712	480	1200	1495	3335
350	812	525	1350	1670	3775
400	912	575	1510	1825	4190
450	1012	625	1670	1975	4595
500	1112	675	1825	2120	4985
600	1312	775	2140	2390	5750

\* The height H should be increased by 10 mm/m approx. because of preload. In case of limitation to the available space, refer to the Technical Dptm.

Length of chain (L)

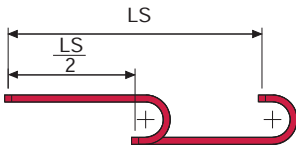
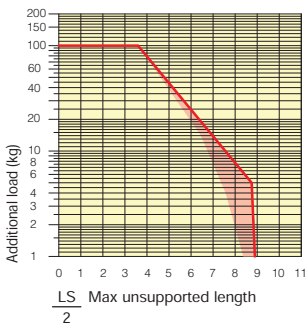
Half travel distance ( $\frac{LS}{2}$ )  
plus length of curve (M)

$$L = \frac{LS}{2} + M \text{ or } M1$$



### Self-Supporting Capacity Diagram

The maximum length of the self-supporting capacity ( $\frac{LS}{2}$ ) in relationship to the weight of the cables and hoses contained per linear metre.



The red marking in the diagram area considers the difference of weight between various widths of chain.

For applications with  $\frac{LS}{2}$  and weights not included in the area of the diagram showing self-supporting capacity, verify the possible use of support rollers (see page 30).

### Bright Zinc Plated Steel End Brackets

The end brackets set, containing four steel plates screwed to the links allows the two ends of the chain to be attached to the equipment.

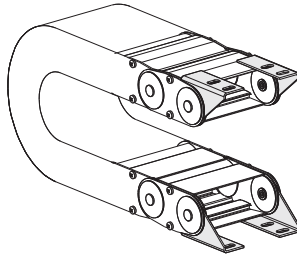
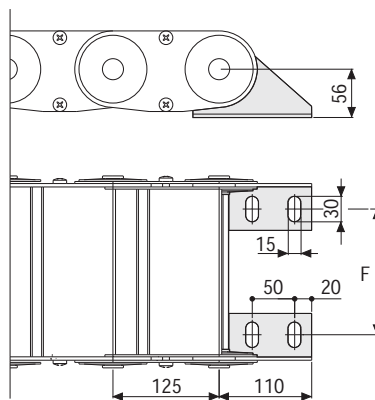


Fig. A  
Chain fixed outside the radius. (Fig A)



Chain Type	F mm
BS3500NC104	80
BS3500NC154	130
BS3500NC204	180
BS3500NC254	230
BS3500NC304	280
BS3500NC404	380
Special dimension F=W-73	

### Bright Zinc Plated Steel Type Part Numbers

Complete Set Assembled	
Chain Type	End Brackets Set
BS3500C...	A3500NCKM □**

Complete Set Unassembled	
Chain Type	End Brackets Set
BS3500C...	A3500NCK

\*\* 1=Pos.1; 2=Pos.2; 3=Pos.3  
See end brackets mounting variations page 31.

### Serie Steel

## BS3500C Cable Chain in Bright Zinc Plated Steel



Suitable to long travel distance.  
See page 191



For further information please consult Brevetti Stendaito's Technical Office